

L-Band LD-MOSFET Linear Power Amplifier KU PA 155160 – 25 A

Product Information



Specifications (Ta = 25 °C):

Type KU PA 155160 – 25 A

Frequency range 1550 ... 1600 MHz

Input power

For P1dB typ. 23 dBm

Maximum 30 dBm

Output power

P1dB min. 44 dBm (CW)

P1dB min. 25 W (CW)

Saturation min. 45.4 dBm (CW)

Saturation min. 35 W (CW)

COFDM 1) min. 37 dBm

COFDM 1) min. 5 W

Gain

Small signal min. 21 dB

Flatness (small signal) max. 1 dB

Harmonics

Harmonic rejection @ 25 W typ. 20 dB

Intermodulation distortions

IM3 @ 40 dBm PEP 2) min. 35 dBc

Efficiency @ 30 W (CW) min. 46 %

Input return loss (S11) min. 10 dB

ON voltage +5 ... 14 V DC

Current @ ON pin typ. 2 mA

Supply voltage +28 V DC

Quiescent current typ. 300 mA

Current consumption max. 3.5 A

Monitor output

Forward detection yes (Diode-Detector)

Limits

VSWR of load max. 1.8:1

Operating case temperature range -20 ... +55 °C

Mechanics

Input connector / impedance SMA-female, 50 ohms

Output connector / impedance SMA-female, 50 ohms

Case milled aluminium

Dimensions (mm) 80 x 60 x 20

Weight typ. 145 g

Features:

- LD MOSFET technology
- High linearity
- High efficiency
- Reverse polarity protection
- Monitor output for forward power detection (DC voltage)

Applications:

- Digital broadcast systems (DAB, DVB)
- COFDM systems using modulation types QPSK, QAM
- Analog transmission systems
- Jammer

Accessories:

- Recommended power supply: RSP 150 W 27
- Recommended heat sink: SK 150 - 62
- Recommended fan: FAN 60x60 24 V

Amplifier should be mounted on heat sink!

1) Single carrier; 64 QAM; 8Msps; EVM=2%

2) Two tone test; $\Delta f=1\text{MHz}$

CE Conformity:

- EMC directive 2014/30/EU
- Low voltage directive 2014/35/EU
- RoHS directive 2011/65/EU

2021-09-02

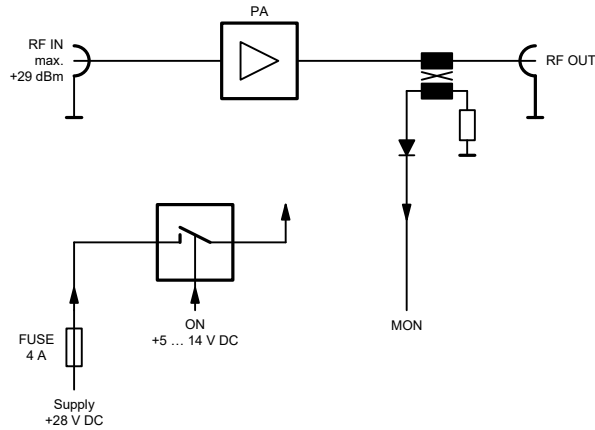


Products are only to be sold to processing companies.
For operating high frequency modules legal instructions must be followed.

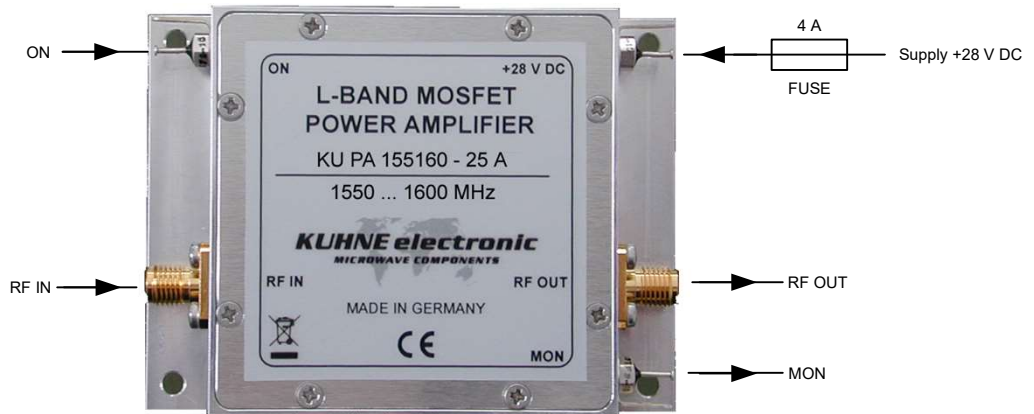
L-Band LD-MOSFET Linear Power Amplifier KU PA 155160 – 25 A

Product Information

Block diagram



ON.....supply DC voltage to „ON“ to switch power amplifier „ON“ (active)
 MON OUT.....Output which monitors forward power (DC voltage), not calibrated



Sig.: _____ QS: _____



Products are only to be sold to processing companies.
 For operating high frequency modules legal instructions must be followed.